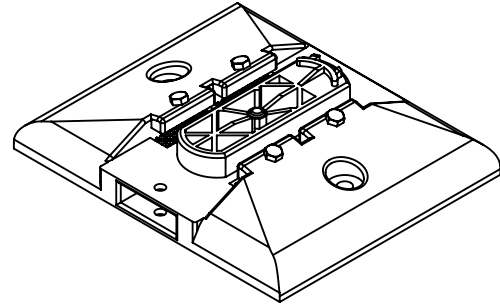
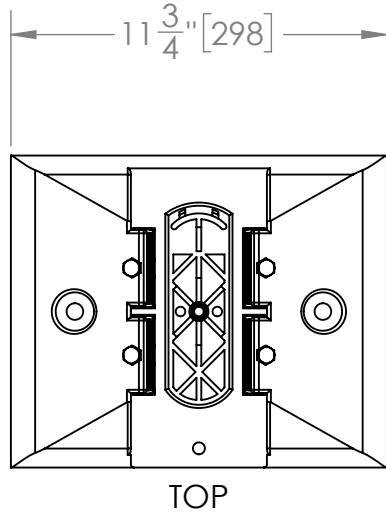


2

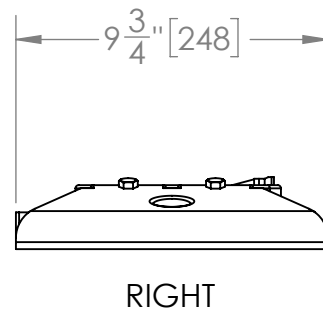
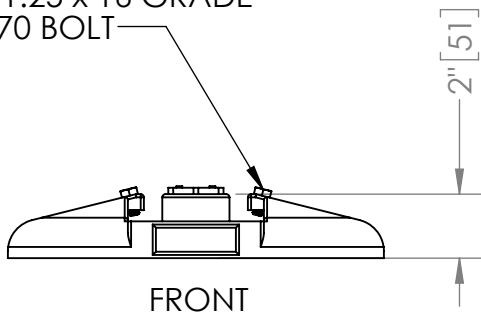
1

B

B



M8-1.25 x 16 GRADE  
A2-70 BOLT



A

A

QWICK KURB® . INC.

DRAWING

L50

SIZE  
**A**

SCALE:1:6  
SHEET 1 OF 1

2

1