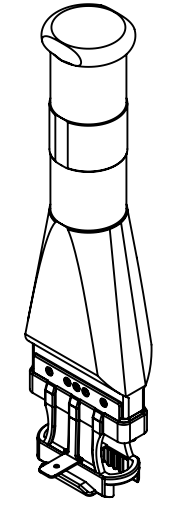
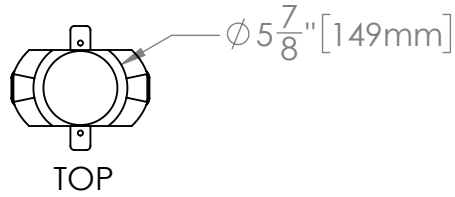


2

1

B

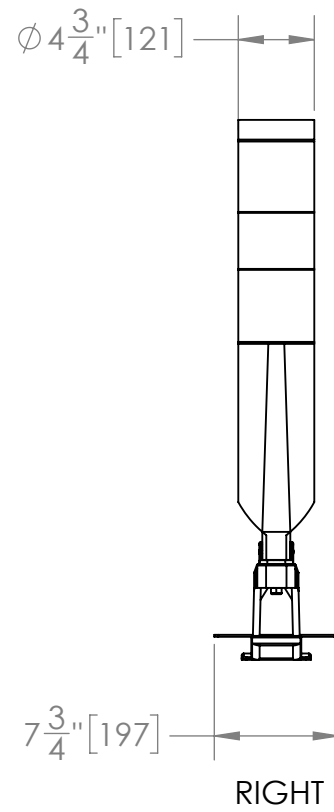
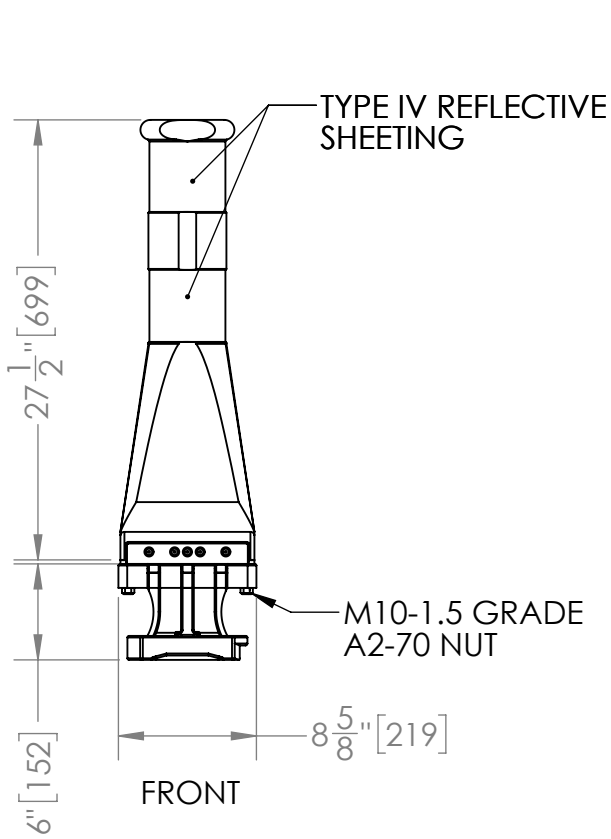
B



ISOMETRIC

A

A



2

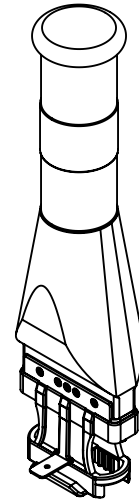
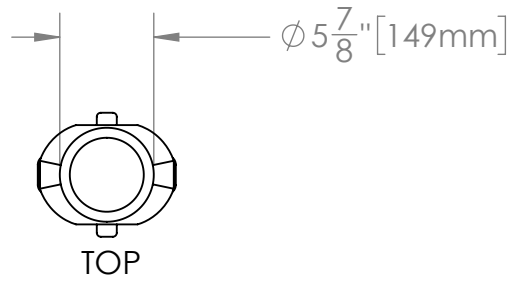
1

2

1

B

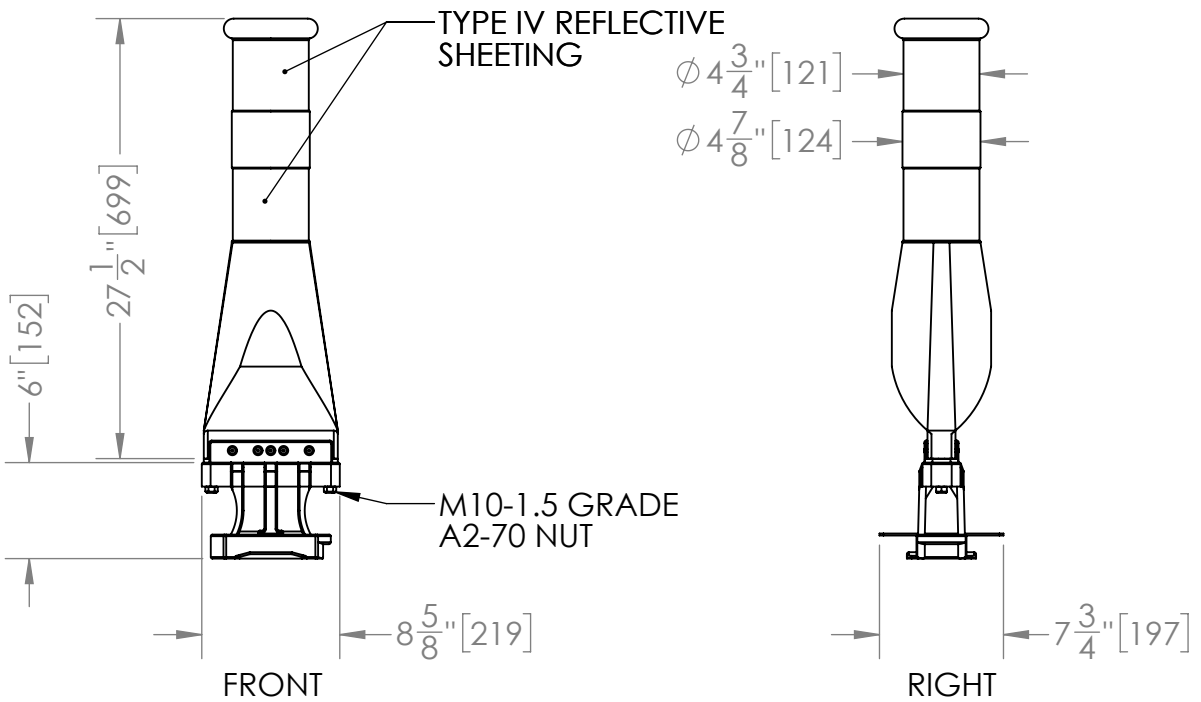
B



ISOMETRIC

A

A



QWICK KURB® INC.

DRAWING

L125SH

SIZE  
A

SCALE:1:12  
SHEET 1 OF 1

2

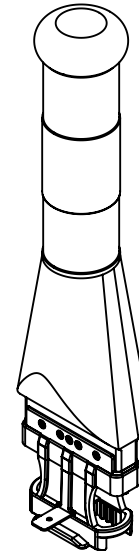
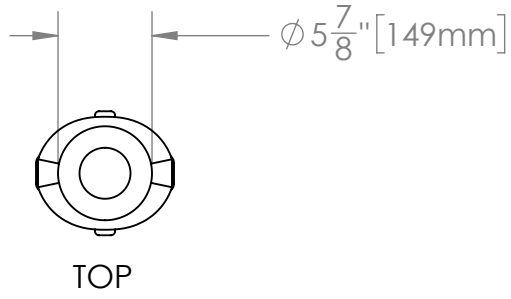
1

2

1

B

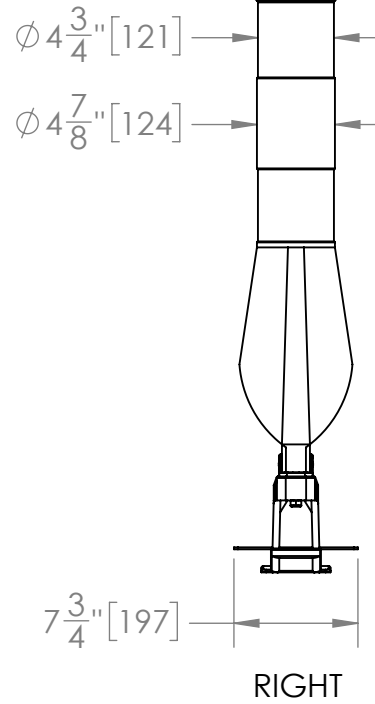
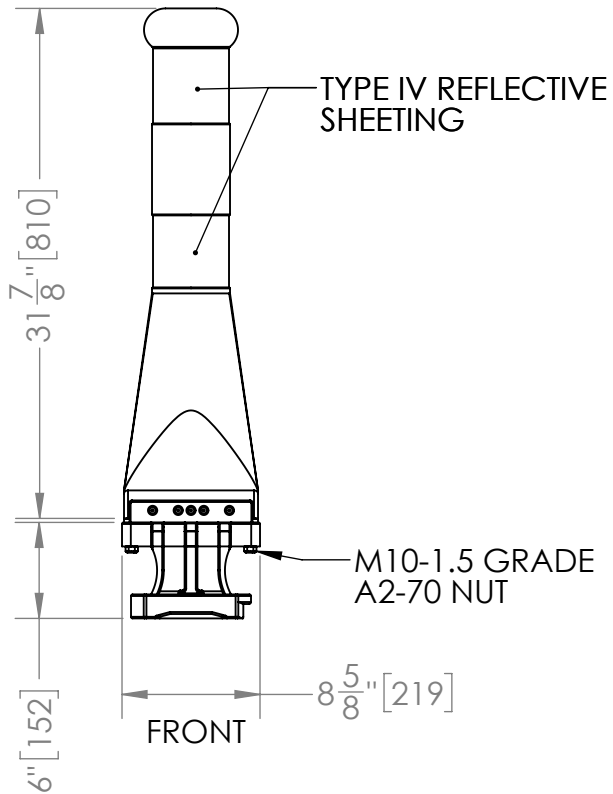
B



ISOMETRIC

A

A

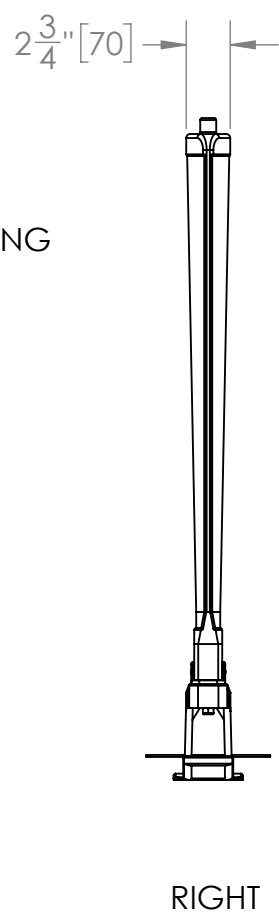
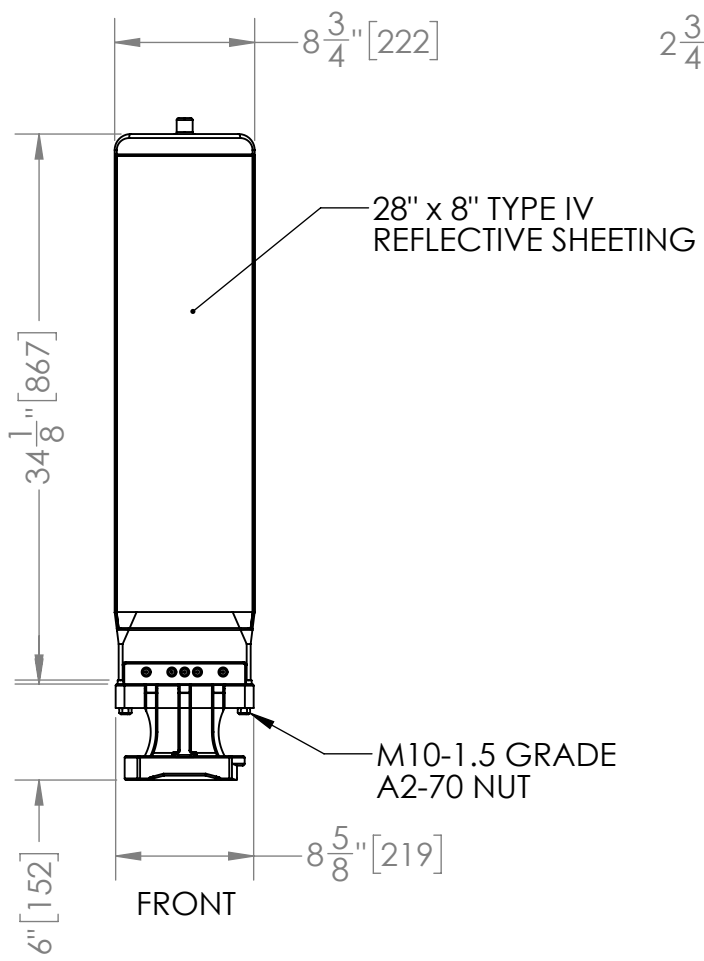
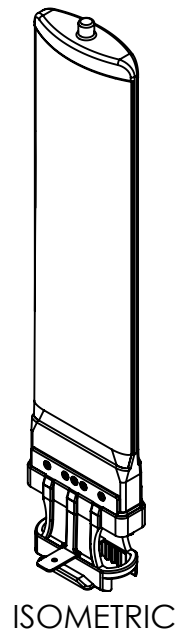
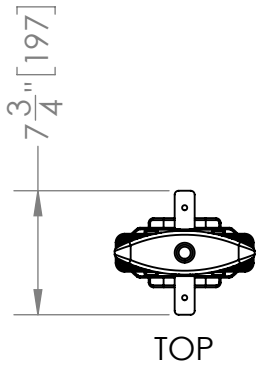


2

1

2

1



B

B

A

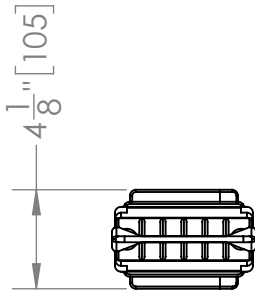
A

2

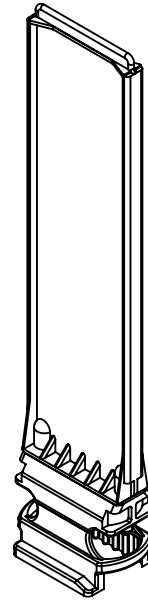
1

2

1

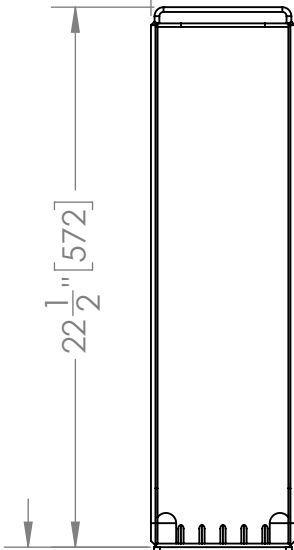


TOP



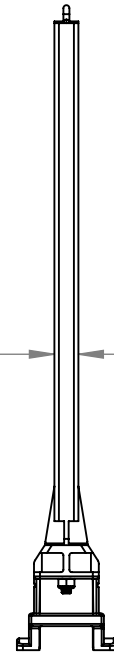
ISOMETRIC

6" [152]



FRONT

1" [25]



RIGHT



4 3/8" [111]

M10-1.5 GRADE  
A2-70 NUT

B

B

A

A

2

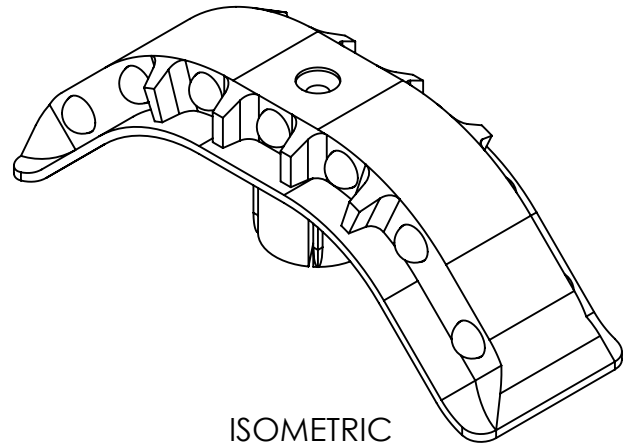
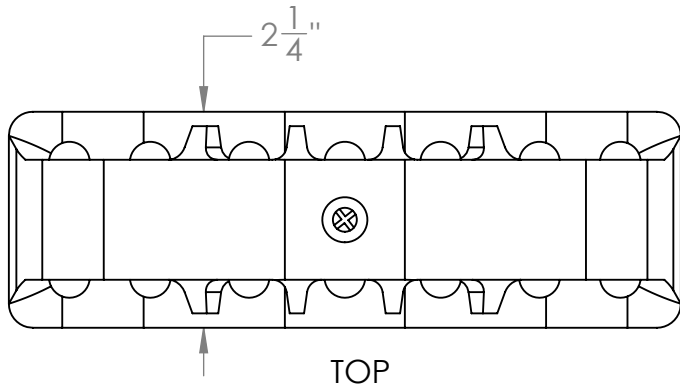
1

2

1

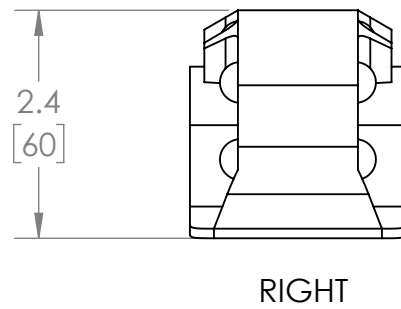
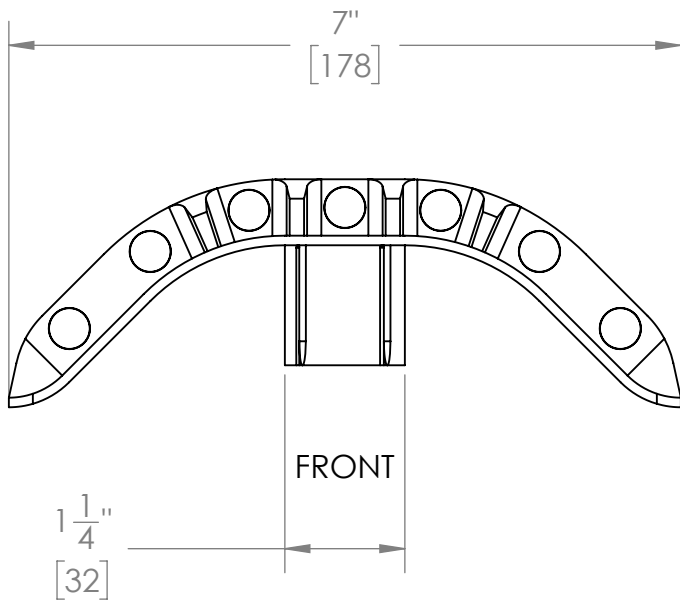
B

B



A

A



©WICK KURB®. INC.

DRAWING

L65 Reflector

SIZE  
A

SCALE:1:2  
SHEET 1 OF 1

2

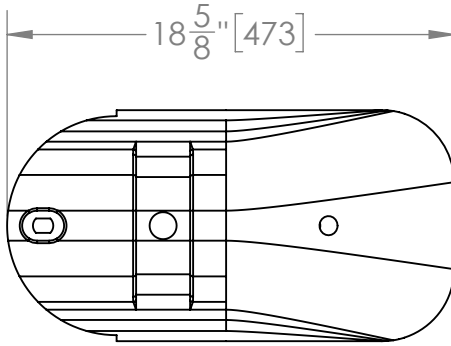
1

2

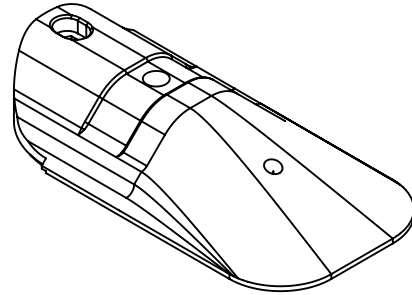
1

B

B



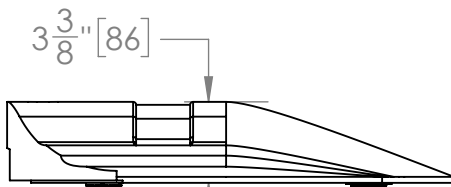
TOP



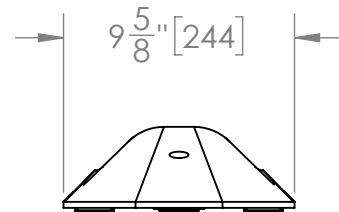
ISOMETRIC

A

A



LEFT



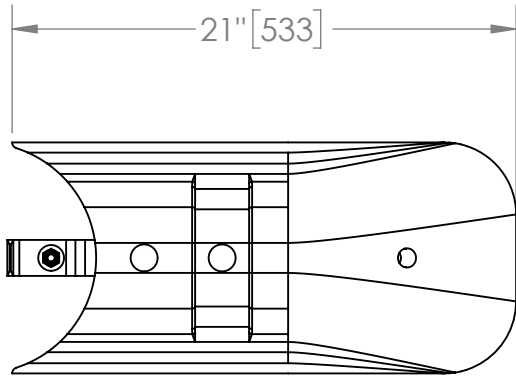
FRONT

2

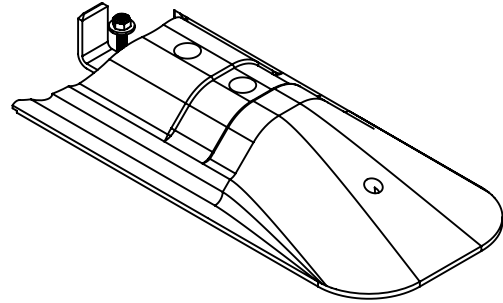
1

2

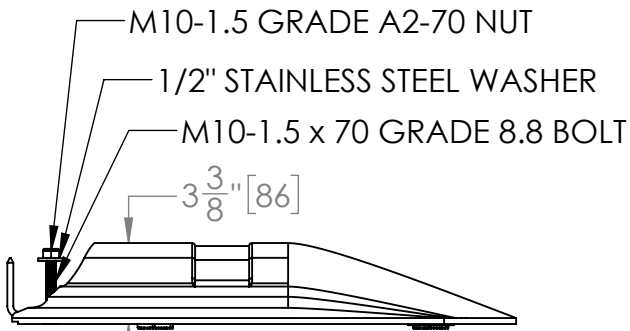
1



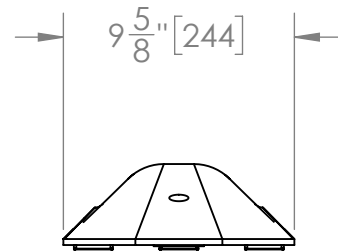
TOP



ISOMETRIC



FRONT



RIGHT

B

B

A

A

2

1

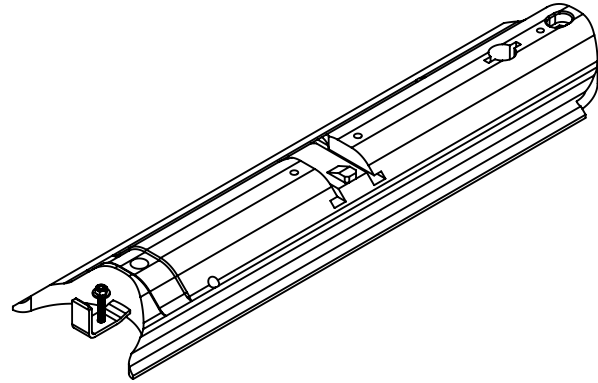
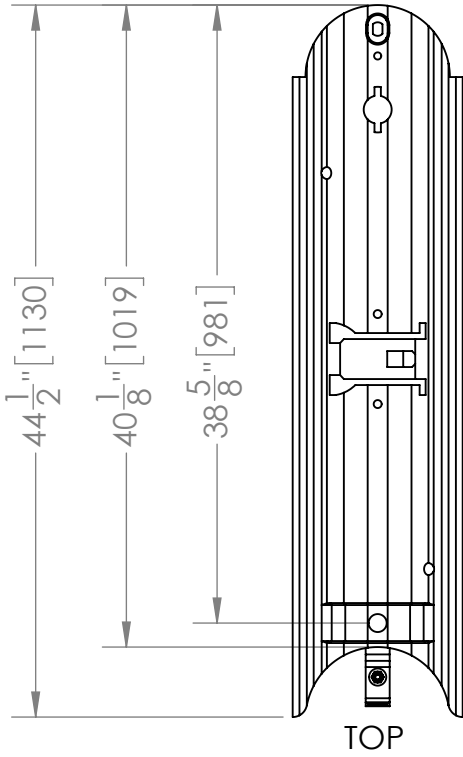


2

1

B

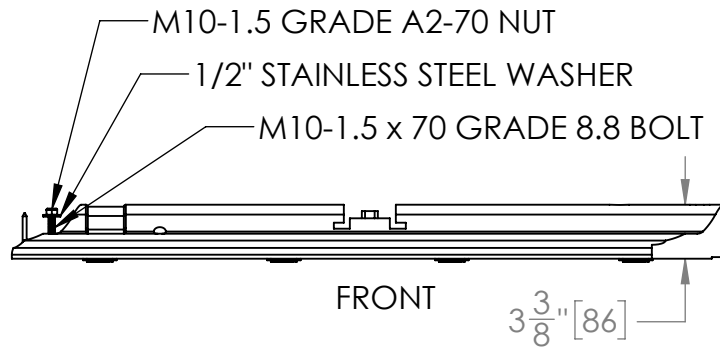
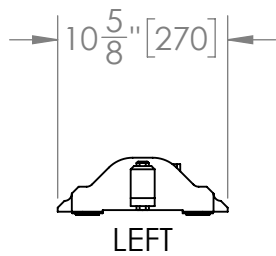
B



ISOMETRIC

A

A

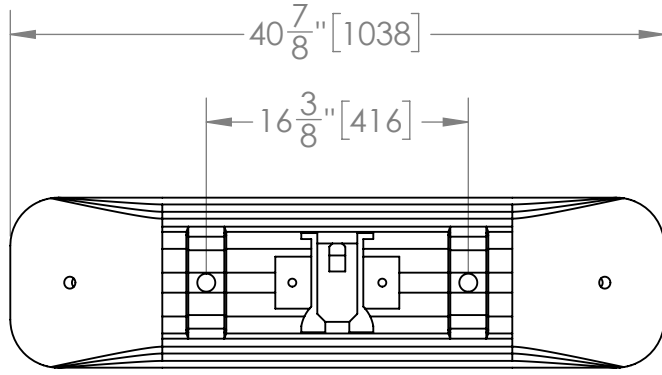


2

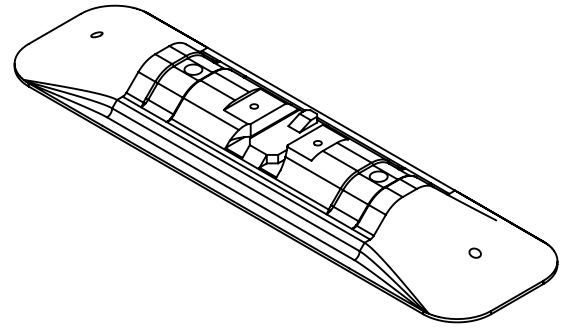
1

2

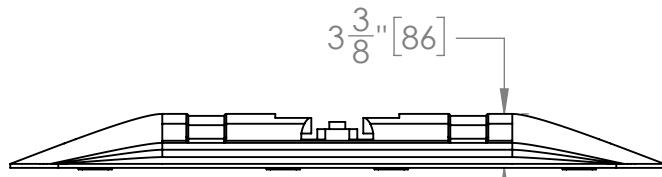
1



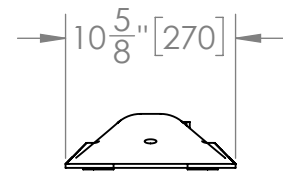
TOP



ISOMETRIC



FRONT



RIGHT

B

B

A

A

2

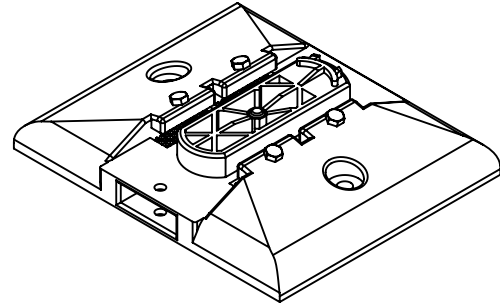
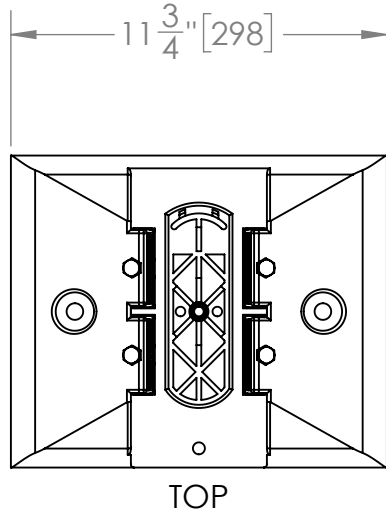
1

2

1

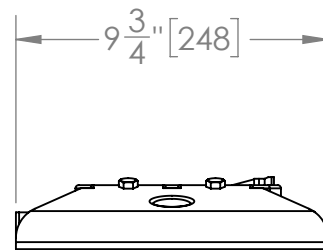
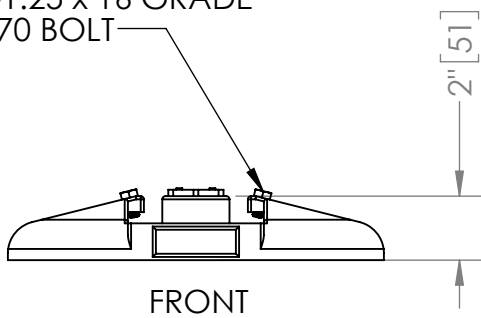
B

B



ISOMETRIC

M8-1.25 x 16 GRADE  
A2-70 BOLT



RIGHT

A

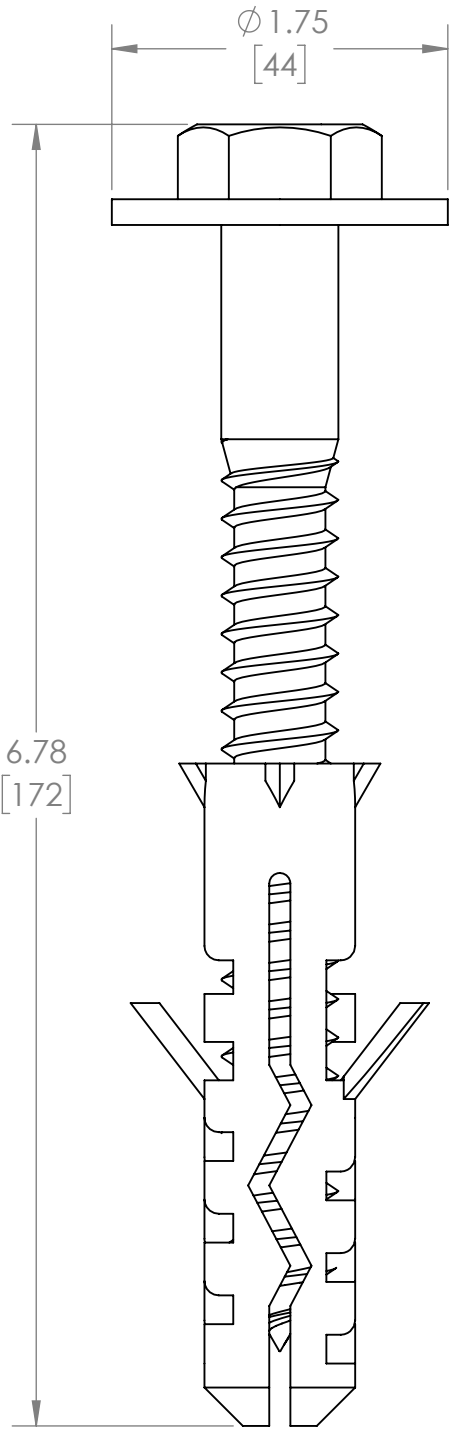
A

2

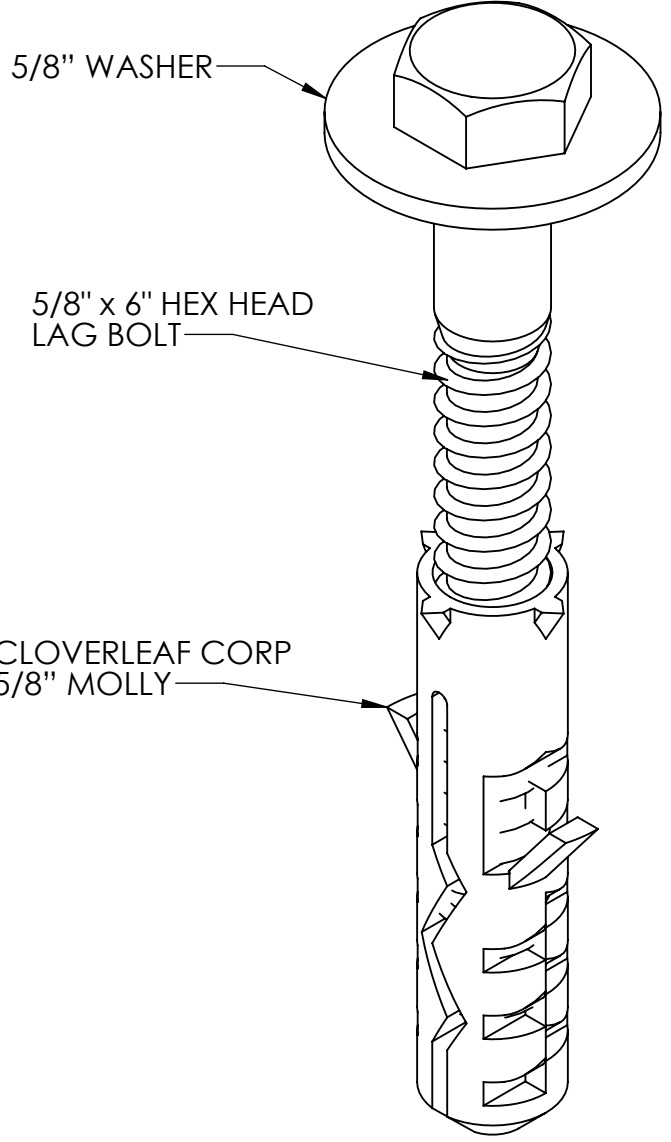
1

2

1



FRONT



ISOMETRIC

B

B

A

A

2

1

2

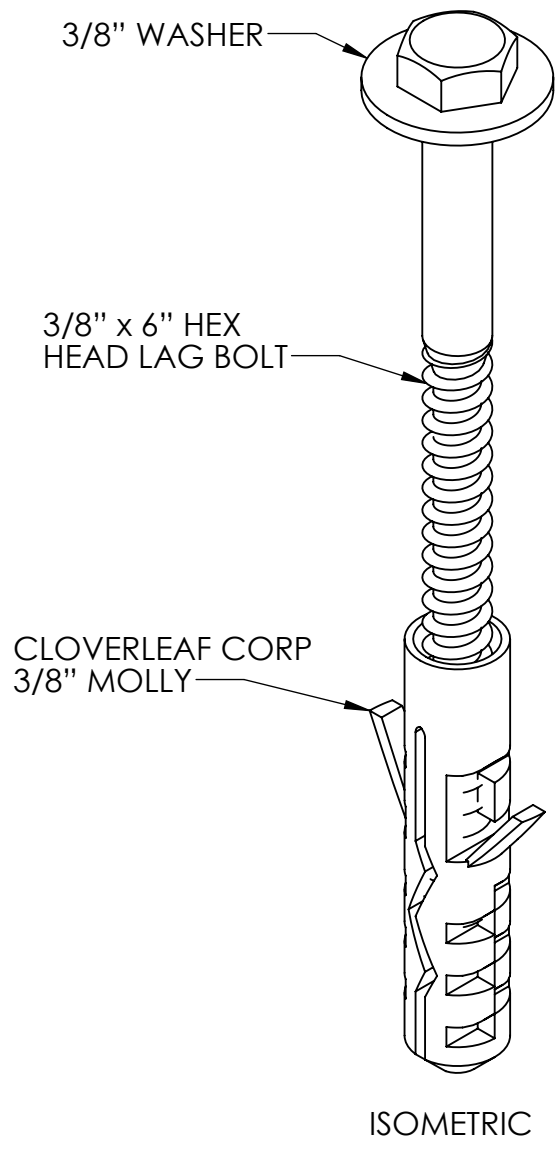
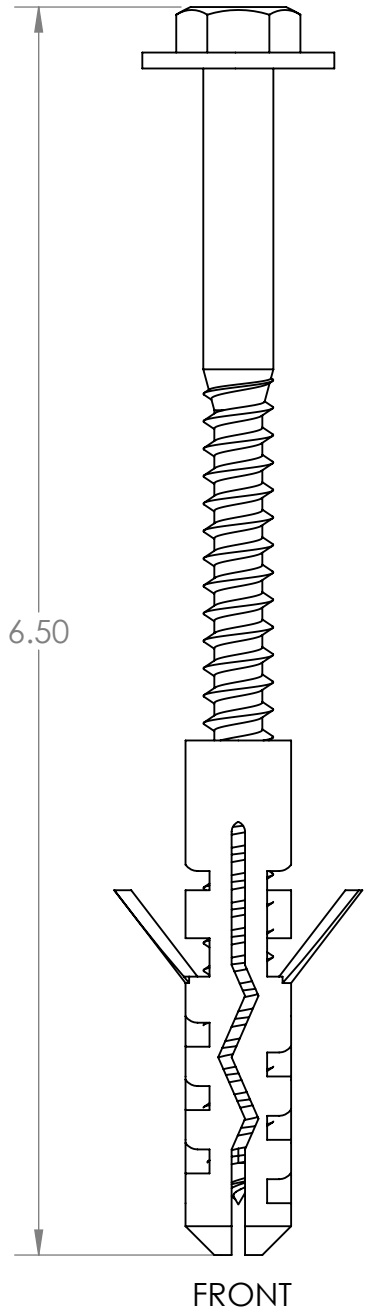
1

B

B

A

A



2

1